

MDA EQ Series

Composite Video and S-Video Mini Distribution Amplifiers with Gain and EQ Controls



COMMON FEATURES

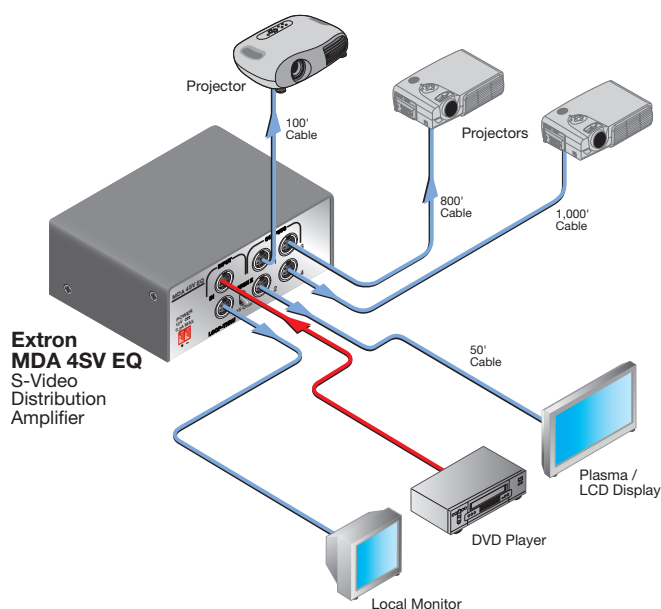
- 150 MHz (-3 dB) video bandwidth, fully loaded
- Drives video signals 1,000 feet (300 meters) or more
- Input loop-through
- 1U, quarter rack width metal enclosure
- External universal power supply included, part # 70-055-01

DESCRIPTION

The Extron **MDA EQ Series** Mini Distribution Amplifiers offer one input and two or four outputs. There are two composite video models and one S-video model, each providing 150 MHz (-3 dB) video bandwidth. All models feature gain adjustments to allow for compensation of signal level loss that occurs over long cable runs, and EQ adjustments which compensate for high frequency loss.

The MDA EQ Series is compatible with NTSC, PAL, and SECAM video signals, and allow for cable runs of 600 feet (180 meters) to 1,000 feet (300 meters) or more, depending on the quality of the coax cable. Each model in the series also features passive loop-through capabilities, providing the ability to add more amplifiers and create a larger DA system or drive a local monitor.

Part of the VersaTools® line of economical, compact products, MDA EQ Series Mini Distribution Amplifiers are rack or under-desk mountable and include an external power supply. Their small size makes them ideal for easy integration into both new and existing A/V systems including boardrooms, training facilities, home theater, command and control centers, and rental and staging environments.



Continued →

MDA EQ Series

Composite Video Models

MDA 2V EQ

Two Output Composite Video Mini Distribution Amplifier with Gain and EQ

UNIQUE FEATURES

- Accepts and distributes composite video on female BNC connectors
- Variable gain and EQ adjustments
- Independent gain and EQ control per output



MODEL	VERSION DESCRIPTION	PART #
MDA 2V EQ	1x2 Composite Video w/Gain & EQ	60-696-01

MDA 4V EQ

Four Output Composite Video Mini Distribution Amplifier with Gain and EQ

UNIQUE FEATURES

- Accepts and distributes composite video on female BNC connectors
- Variable gain and EQ adjustments
- Independent gain and EQ control per output



MODEL	VERSION DESCRIPTION	PART #
MDA 4V EQ	1x4 Composite Video w/Gain & EQ	60-697-01

S-Video Models

MDA 4SV EQ

Four Output S-Video Mini Distribution Amplifier with Gain and EQ

UNIQUE FEATURES

- Accepts and distributes S-video on 4-pin mini DIN connectors
- Variable gain and EQ controls for luma signal
- Variable gain control for chroma signal
- Independent gain and EQ control for every two outputs



MODEL	VERSION DESCRIPTION	PART #
MDA 4SV EQ	1x4 S-Video w/Gain & EQ	60-698-01

MDA EQ Series Accessories

OPTIONAL ACCESSORIES	MODEL DESCRIPTION	PAGE	PART #
RSU 129	1U 9.5" Deep Universal Rack Shelf Kit	page 819	60-190-01
RSF 123	1U 3.5" Deep VersaTools® Rack Shelf Kit	page 818	60-190-20
RSB 129	1U 9.5" Deep Basic Rack Shelf	page 820	60-604-01

MDA EQ Series

SPECIFICATIONS

VIDEO

Gain

Video and Y -1 dB to +3 dB (x 0.9 to x 1.4), adjustable per output*
 C (chroma) 0 dB to +10 dB (x 1 to x 3)

Equalization 0 dB to +6 dB (x 1 to x 2) at 5 MHz, adjustable per output*

*Per output for composite video, per every two outputs for S-video.

Bandwidth 150 MHz (-3 dB)

Output cable

driving distance Up to 1000 feet with Mini HR cable, up to 1500 feet with RG6 or RG59 cables

VIDEO INPUT AND LOOP-THROUGH

Number / Signal type

MDA 2V EQ, MDA 4V EQ 1 composite video input, 1 passive composite video passive loop-through

MDA 4SV EQ 1 S-video input, 1 passive S-video passive loop-through

Connectors

MDA 2V EQ, MDA 4V EQ 1 female BNC (input), 1 female BNC (loop-through)

MDA 4SV EQ 1 female 4-pin mini DIN (input), 1 female 4-pin mini DIN (loop-through),

Nominal level 1 Vp-p for Y of S-video, and for composite video
 0.3 Vp-p for C of S-video

Minimum / Maximum levels

MDA 2V EQ, MDA 4V EQ 0.4 V to 2 Vp-p with no offset at unity gain

MDA 4SV EQ Y: 0.4 V to 2 Vp-p with no offset at unity gain

Impedance 75 ohms

Return loss <-30 dB @ 5 MHz

DC offset (max. allowable) 4.0 V, AC coupled

VIDEO OUTPUT

Number / Signal type

MDA 2V EQ 2 composite video

MDA 4V EQ 4 composite video

MDA 4SV EQ 4 S-video

Connectors

MDA 2V EQ 2 female BNC

MDA 4V EQ 4 female BNC

MDA 4SV EQ 4 female 4-pin mini DIN

Nominal level 1 Vp-p for Y of S-video, and for composite video

0.3 Vp-p for C of S-video

Minimum / Maximum levels 0.4 V to 2 Vp-p

Impedance 75 ohms

Return loss <-30 dB @ 5 MHz

SYNC

Standards NTSC 3.58, NTSC 4.43, PAL, SECAM

GENERAL

External power supply 100 VAC to 240 VAC, 50/60 Hz, external, universal; to 12 VDC, 1 A, regulated

Power input requirements 12 VDC, 0.2 A

Temperature / Humidity Storage: -40 to +158 °F (-40 to +70 °C) / 10% to 90%, noncondensing
 Operating: -32 to +122 °F (0 to +50 °C) / 10% to 90%, noncondensing

Rack mount Yes, with optional 1U rack shelf, part #60-190-01 or 60-604-01; or
 VersaTools® rack shelf, part #60-190-20 or 60-604-20
 Also furniture mountable with optional brackets

Enclosure type Metal

Enclosure dimensions 1.7" H x 4.3" W x 3.0" D (1U high, quarter rack wide)
 4.3 cm H x 10.9 cm W x 7.6 cm D (Depth excludes connectors.)

Product weight 0.7 lbs (0.3 kg)

Shipping weight 3 lbs (2 kg)

Vibration ISTA 1A in carton (International Safe Transit Association)

Listings UL, CUL

Compliances CE, FCC Class A, VCCI, AS/NZS, ICES

MTBF 30,000 hours

Warranty 3 years parts and labor

NOTE: All nominal levels are at ±10%. Specifications are subject to change without notice.